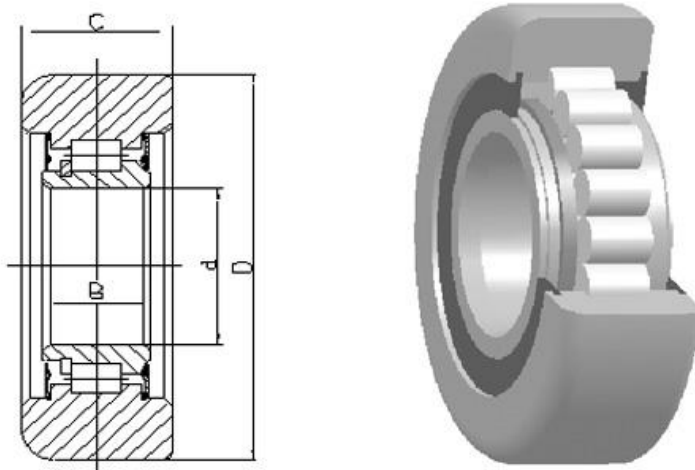


# 叉车门架滚轮 (MGxxR1-x) 滚子类

Forklift Mast Roller



轴承型号	尺寸(mm)	额定载荷(KN)		参照型号
	d*D*C/B	Cr	Cor	
MG13R1-1M1	13*52*18/24	25.6	31.4	
MG20R1-1M1	20*57*18.5/14.8	20.1	21.0	
MG22R1-1M1	22*52*15.5/16.4	24.3	28.4	
MG25R1-3M1	25*62*18/19.5	36.4	36.7	MR35-1
MG25R1-4M1	25*52*15.5/16.5	23.0	26.26	
MG25R1-5	25*52*20.6/20.6	29.48	36.75	70030
MG25R1-6M1	25*52*15.5/16.4	24.3	28.4	
MG25R1-8M1	25*62*18/20	36.4	36.7	

MG25R1-9	25*72*28/28	61.0	66.0	70077V
MG25R1-11M1	25*70*22/22	36.4	36.7	
MG25R1-13	25*52*15.5/14	26.2	10.4	92205A
MG30R1-8M1	30*62*16/16.5	31.58	42.0	
MG30R1-10	30*75*23/23	47.8	76.3	
MG31.75R1-2M1	31.75*82.5*25.4/25.4	51.0	64.0	
MG35R1-8M11	35*98.5*33/29.5	58.69	81.31	
MG35R1-10M1	35*84.9*31/24	66.4	83.7	
MG35R1-11	35*97.5*33/30	65.42	90.07	
MG35R1-12	35*96.5*33/30	65.42	90.07	
MG35R1-15M1	35*83.5*33/29.5	60.0	116.0	
MG35R1-18	35*97.5*32/30	65.42	90.07	
MG35R1-24M1	35*70.4*23/24	47.75	74.96	
MG35R1-25M11	35*101.2*29.9/23.4	69.3	73.9	
MG36R1-1M1	36*99.3*28/25	72.51	107.3	
MG40R1-1M1	40*78*26/23	50.4	64.3	
MG40R1-4M1	40*88.5*35/20.5	90.9	141.0	
MG40R1-9	40*125.85*35/30	130.0	138.0	

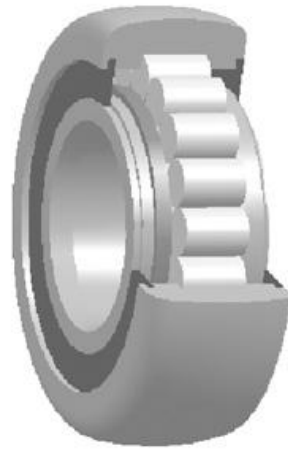
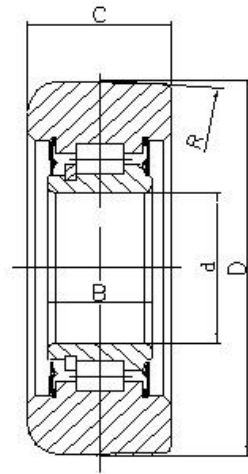
MG45R1-6M1	45*89.5*22/23	54.0	73.5	
MG45R1-8M1	45*73.5*21/18	45.0	70.1	
MG50R1-1	50*90*20/18	65.96	82.68	92210A
MG50R1-2M1	50*102*32/25.5	66.16	81.87	
MG50R1-3M1	50*90*20/18.5	53.5	70.9	
MG50R1-6M1	50*102*32/32	65.96	82.68	
MG50R1-7	50*140*42/29	148.0	164.0	
MG50R1-8M1	50*102*30/25	65.96	82.68	SX1061PX1
MG50R1-15M1	50*100*32/25.5	66.16	81.87	
MG55R1-7M1	55*115.8*38.5/39.5	78.4	117.7	
MG55R1-14M1	55*100.3*28/21	65.0	85.0	
MG55R1-15	55*97*31/29	79.0	128.0	
MG55R1-16M1	55*109.83*26/26.5	80.0	137.0	
MG55R1-17M1	55*100*31/31	69.66	120.2	
MG60R1-6M1	60*107.5*38.1/38.1	102.49	182.3	
MG60R1-7M1	60*110*28/28	84.29	141.7	R60*110*28/28
MG60R1-9M1	60*120*54/50	192.0	322.0	R60X120X54/50
MG60R1-10M1	60*113*34/34	84.29	141.7	7E-CRG60*113*34

MG60R1-19M1	60*105*35/36	102.49	182.3	
MG62R1-1M1	62*112*36/28	76.0	103.3	
MG62R1-2	62*112*36/28	76.0	103.3	
MG62R1-3M1	62*112*36/28	84.29	141.7	
MG65R1-4	65*115*36/32	98.0	149.0	7E-CRG65X115X36-3
MG65R1-5M1	65*115*36/36	98.0	149.0	
MG65R1-10M1	65*115*36/31.7	82.5	137.4	
MG65R1-11M1	65*115.5*36/31.7	82.5	137.4	
MG70R1-3M1	70*129*40/36	128.94	198.5	7E-CRG70X129X40
MG70R1-4M1	70*180*81/83(85)	490.0	730.0	
MG70R1-5M1	70*189.5*55/45	150.0	367.0	
MG70R1-7M1	70*180*81/83(85)	490.0	730.0	
MG75R1-1M1	75*130*35/35	88.13	147.3	XR1357-1
MG75R1-2M1	75*130*40/40	131.3	245.5	XR1365-1
MG75R1-4M1	75*126.8*48/40	121.0	239.0	
MG75R1-5M1	75*128*40/40	131.3	245.5	7E-CRG75X128X40-4
MG75R1-6M1	75*124*33/33	131.3	245.5	7E-CRG75X124X33-1
MG75R1-8M1	75*130*40.2/40	131.3	245.5	CRG-75X130X40.2

MG75R1-9M1	75*128*40/40	110.2	196.4	R75*128*40/40
MG75R1-10M1	75*130*40/40	110.2	196.4	
MG75R1-12	75*130*31/31	176.0	245.0	
MG85R1-1M1	85*172*45/34	186.13	240.0	R85X172X45/34
MG85R1-2M1	85*169*45/34	186.13	240.0	
MG90R1-1M1	90*150*40/40	139.8	255.6	
MG95R1-1	95*207*59/56	352.2	637.6	
MG100R1-1	100*250*65/47	290.0	550.0	
MG110R1-1M1	110*299*66/50	513.42	707.78	
MG120R1-1	120*243*66/48	405.0	634.0	SX2453PX1
MG120R1-3	120*220*64/67.5	347.2	637.4	

## 叉车门架滚轮 (MGxxR2-x) 滚子类

Forklift Mast Roller



轴承型号	尺寸(mm)	额定载荷(KN)		参照型号
	d*D*C/B	Cr	Cor	
MG17R2-1M1	17*40*20/21	28.19	35.69	
MG20R2-1M1	20*47*24/25	71.43	55.91	
MG20R2-4M1	20*47.1*24/25	71.43	55.91	
MG25R2-1	25*52*15.5/16	23.0	26.3	404#
MG25R2-2M1	25*52*24/25	39.3	52.5	
MG25R2-4M11	25*52*17.2/17.2	27.8	33.2	
MG30R2-2M1	30*62*21/23.5	37.57	52.58	
MG30R2-3BM11	30*52.8*19/18	27.2	39.26	
MG30R2-6M1	30*62*21/23.5	37.57	52.58	
MG35R2-5M11	35*60.5*23/20	44.5	65.79	
MG35R2-6M11	35*60.5*23/20	44.5	65.79	

MG35R2-8M1	35*60.5*22/17	44.45	65.68	
MG35R2-9M1	35*61.8*22/17	44.45	65.68	
MG35R2-17	35*62*20/20	38.6	54.75	
MG40R2-2M1	40*105.8*22/23	63.18	79.77	
MG40R2-3BM11	40*81.8*21/18	42.7	65.7	
MG40R2-4M1	40*79.95*22/15.5	53.0	63.0	
MG40R2-5M11	40*73.8*25/20	51.3	74.7	
MG40R2-6M11	40*70.8*21/18	42.7	65.7	
MG40R2-7M1	40*91.95*22/15.5	65.5	60.0	
MG40R2-8M11	40*73.8*25/20	51.3	74.7	
MG40R2-9M11	40*78.1*21/18	42.7	65.7	
MG40R2-10M11	40*70.1*21/18	42.7	65.7	
MG45R2-3M1	45*80.5*25/17	51.08	86.79	
MG45R2-4M1	45*81.8*25/17	51.08	86.79	
MG45R2-6M11	45*74.8*21/17.2	51.08	86.79	
MG45R2-7M11	45*81.8*25/17.2	51.08	86.79	
MG50R2-1M1	50*110*30/32	108.5	173.3	
MG50R2-3M11	50*90.8*27/20	64.85	92.50	

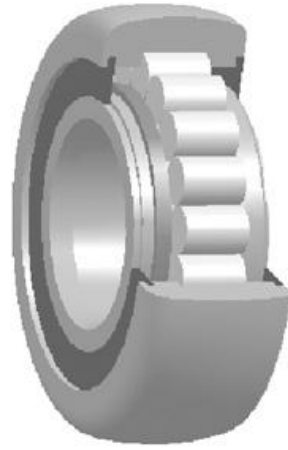
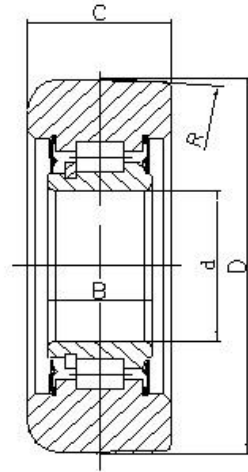
MG50R2-4	50*150*61/63	222.0	340.0	
MG50R2-5M11	50*90.8*27/20	64.85	92.5	
MG50R2-8T	50*123*34/27	94.81	113.34	
MG50R2-9M1	50*130*63/65	223.0	340.0	
MG52R2-1M1	52*110.5*32/26.15	65.96	82.68	
MG55R2-1	55*110*26/26	82.53	137.46	
MG55R2-2M1	55*110*26/26	78.4	117.7	
MG55R2-3	55*110*26/26.2	82.53	137.46	
MG55R2-4M1	55*100.5*28/22	63.9	87.5	
MG55R2-5M1	55*120*40/43	168.0	269.0	
MG60R2-1M11	60*110.8*32/22	92.9	129.1	
MG60R2-2M11	60*127.8*34/22	92.9	129.1	
MG60R2-3M11	60*110.8*32/22	92.9	129.1	
MG60R2-4M1	60*150*73/75	315.0	493.0	
MG60R2-5M1	60*120.8*37.5/37.5	160.0	192.0	
MG60R2-6	60*135*42/44	168.0	239.0	
MG65R2-1	65*180.3*72/78.6	346.0	595.2	
MG65R2-2M1	65*108.7*35/27	84.3	141.8	NUTD65H



MG65R2-3M1	65*120.3*27/23	80.8	126.0	
MG65R2-4M1	65*130.4*29/25	80.8	126.0	
MG65R2-5M1	65*160*73/75	280.0	460.0	
MG70R2-1M1	70*150*40/42	210.	338.0	
MG70R2-2M1	70*180*83/85	490.0	730.0	NNTR70X180X85
MG70R2-3M1	70*190*58/60	304.0	456.0	
MG70R2-4M1	70*160*58/60	304.0	456.0	
MG70R2-5M1	70*151.5*36/36	140.0	188.0	
MG75R2-1M1	75*160*40/42	178.5	310.0	
MG80R2-1M1	80*220*60/62	455.0	590.0	
MG90R2-1M1	90*190*52/54	347.0	556.0	NUTR 90 190
MG100R2-1M1	100*180*63/65	387.0	693.0	
MG110R2-1M1	110*200*63/65	410.0	780.0	
MG140R2-1M1	140*250*76/78	630.0	1180.0	
MG140R2-3M1	140*300*76/78	630.0	1180.0	

## 叉车门架滚轮 (MGxxR2-x) 滚子类

Forklift Mast Roller



轴承型号	尺寸(mm)	额定载荷(KN)		参照型号
	d*D*C/B	Cr	Cor	
MG17R2-1M1	17*40*20/21	28.19	35.69	
MG20R2-1M1	20*47*24/25	71.43	55.91	
MG20R2-4M1	20*47.1*24/25	71.43	55.91	
MG25R2-1	25*52*15.5/16	23.0	26.3	404#
MG25R2-2M1	25*52*24/25	39.3	52.5	
MG25R2-4M11	25*52*17.2/17.2	27.8	33.2	
MG30R2-2M1	30*62*21/23.5	37.57	52.58	
MG30R2-3BM11	30*52.8*19/18	27.2	39.26	
MG30R2-6M1	30*62*21/23.5	37.57	52.58	
MG35R2-5M11	35*60.5*23/20	44.5	65.79	
MG35R2-6M11	35*60.5*23/20	44.5	65.79	

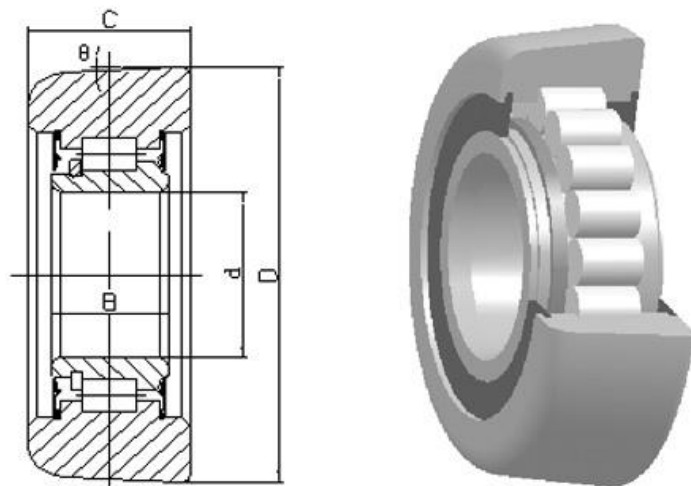
MG35R2-8M1	35*60.5*22/17	44.45	65.68	
MG35R2-9M1	35*61.8*22/17	44.45	65.68	
MG35R2-17	35*62*20/20	38.6	54.75	
MG40R2-2M1	40*105.8*22/23	63.18	79.77	
MG40R2-3BM11	40*81.8*21/18	42.7	65.7	
MG40R2-4M1	40*79.95*22/15.5	53.0	63.0	
MG40R2-5M11	40*73.8*25/20	51.3	74.7	
MG40R2-6M11	40*70.8*21/18	42.7	65.7	
MG40R2-7M1	40*91.95*22/15.5	65.5	60.0	
MG40R2-8M11	40*73.8*25/20	51.3	74.7	
MG40R2-9M11	40*78.1*21/18	42.7	65.7	
MG40R2-10M11	40*70.1*21/18	42.7	65.7	
MG45R2-3M1	45*80.5*25/17	51.08	86.79	
MG45R2-4M1	45*81.8*25/17	51.08	86.79	
MG45R2-6M11	45*74.8*21/17.2	51.08	86.79	
MG45R2-7M11	45*81.8*25/17.2	51.08	86.79	
MG50R2-1M1	50*110*30/32	108.5	173.3	
MG50R2-3M11	50*90.8*27/20	64.85	92.50	

MG50R2-4	50*150*61/63	222.0	340.0	
MG50R2-5M11	50*90.8*27/20	64.85	92.5	
MG50R2-8T	50*123*34/27	94.81	113.34	
MG50R2-9M1	50*130*63/65	223.0	340.0	
MG52R2-1M1	52*110.5*32/26.15	65.96	82.68	
MG55R2-1	55*110*26/26	82.53	137.46	
MG55R2-2M1	55*110*26/26	78.4	117.7	
MG55R2-3	55*110*26/26.2	82.53	137.46	
MG55R2-4M1	55*100.5*28/22	63.9	87.5	
MG55R2-5M1	55*120*40/43	168.0	269.0	
MG60R2-1M11	60*110.8*32/22	92.9	129.1	
MG60R2-2M11	60*127.8*34/22	92.9	129.1	
MG60R2-3M11	60*110.8*32/22	92.9	129.1	
MG60R2-4M1	60*150*73/75	315.0	493.0	
MG60R2-5M1	60*120.8*37.5/37.5	160.0	192.0	
MG60R2-6	60*135*42/44	168.0	239.0	
MG65R2-1	65*180.3*72/78.6	346.0	595.2	
MG65R2-2M1	65*108.7*35/27	84.3	141.8	NUTD65H

MG65R2-3M1	65*120.3*27/23	80.8	126.0	
MG65R2-4M1	65*130.4*29/25	80.8	126.0	
MG65R2-5M1	65*160*73/75	280.0	460.0	
MG70R2-1M1	70*150*40/42	210.	338.0	
MG70R2-2M1	70*180*83/85	490.0	730.0	NNTR70X180X85
MG70R2-3M1	70*190*58/60	304.0	456.0	
MG70R2-4M1	70*160*58/60	304.0	456.0	
MG70R2-5M1	70*151.5*36/36	140.0	188.0	
MG75R2-1M1	75*160*40/42	178.5	310.0	
MG80R2-1M1	80*220*60/62	455.0	590.0	
MG90R2-1M1	90*190*52/54	347.0	556.0	NUTR 90 190
MG100R2-1M1	100*180*63/65	387.0	693.0	
MG110R2-1M1	110*200*63/65	410.0	780.0	
MG140R2-1M1	140*250*76/78	630.0	1180.0	
MG140R2-3M1	140*300*76/78	630.0	1180.0	

## 叉车门架滚轮 (MGxxR3-x) 滚子类

Forklift Mast Roller

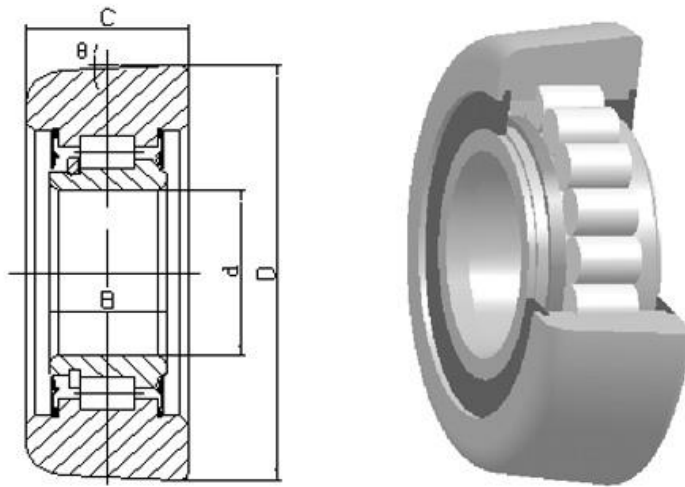


轴承型号	尺寸(mm)	额定载荷(KN)		参照型号
	d*D*C/B	Cr	Cor	
MG25R3-1M1	25*70.5*25/20	36.4	36.7	
MG25R3-2M1	25*70*25/20.5	36.4	36.7	
MG28R3-1M1	28*80*24/15	35.9	44.1	
MG28R3-2M1	28*78*24/21	35.9	44.1	
MG28R3-3M1	28*78.4*24/21	35.9	44.1	
MG28R3-4M1	28*78.2*24/21	35.9	44.1	
MG28R3-5M1	28*77.5*28/18	35.9	44.1	
MG30R3-1M1	30*76*23/19	45.66	46.0	
MG30R3-2M1	30*77*23/19	45.66	46.0	
MG35R3-1M1	35*88*36/31	100.0	130.0	
MG36R3-1	36*102.546*28/25	85.0	104.0	

MG40R3-1M1	40*100*33/29.5	92.05	108.1	
MG45R3-1M1	45*123.5*34/25	85.0	150.0	
MG50R3-1	50*109.35*41/37	125.14	199.37	50945
MG55R3-1	55*120*49/45	100.0	150.0	
MG65R3-1M1	65*149*40/40	150.0	230.0	

## 叉车门架滚轮 (MGxxR3-x) 滚子类

Forklift Mast Roller



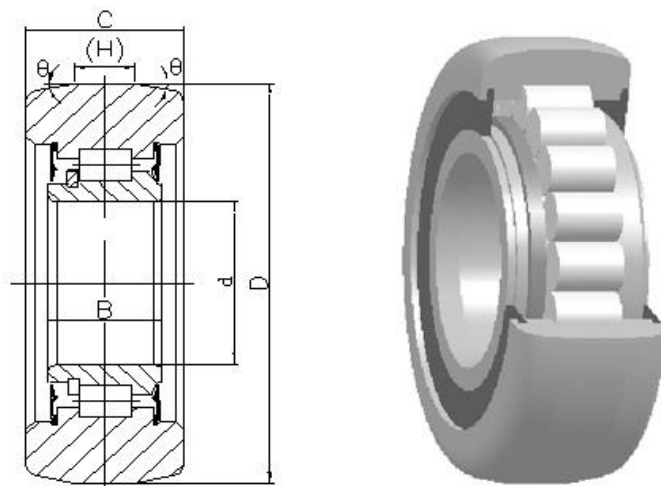
轴承型号	尺寸(mm) d*D*C/B	额定载荷(KN)		参照型号
		Cr	Cor	
MG25R3-1M1	25*70.5*25/20	36.4	36.7	
MG25R3-2M1	25*70*25/20.5	36.4	36.7	

MG28R3-1M1	28*80*24/15	35.9	44.1	
MG28R3-2M1	28*78*24/21	35.9	44.1	
MG28R3-3M1	28*78.4*24/21	35.9	44.1	
MG28R3-4M1	28*78.2*24/21	35.9	44.1	
MG28R3-5M1	28*77.5*28/18	35.9	44.1	
MG30R3-1M1	30*76*23/19	45.66	46.0	
MG30R3-2M1	30*77*23/19	45.66	46.0	
MG35R3-1M1	35*88*36/31	100.0	130.0	
MG36R3-1	36*102.546*28/25	85.0	104.0	
MG40R3-1M1	40*100*33/29.5	92.05	108.1	
MG45R3-1M1	45*123.5*34/25	85.0	150.0	
MG50R3-1	50*109.35*41/37	125.14	199.37	50945
MG55R3-1	55*120*49/45	100.0	150.0	
MG65R3-1M1	65*149*40/40	150.0	230.0	

## 叉车门架滚轮 (MGxxR4-x) 滚子类

Forklift Mast Roller

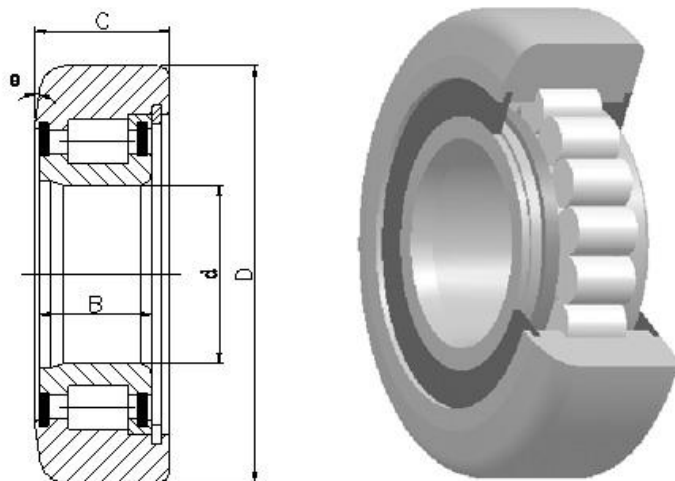




轴承型号	尺寸(mm)	额定载荷(KN)		参照型号
	d*D*C/B	Cr	Cor	
MG25R4-1	25*62*30/34	50.6	75.5	
MG55R4-1	55*94*27/27	79.0	128.0	XR0946-1
MG55R4-2	55*97*31/31	79.0	128.0	
MG55R4-3	55*96.2*33/33	79.0	128.0	XR1057-1
MG65R4-1	65*108.6*30/30	56.46	123.0	XR1152-1
MG76R4-1	76.2X164.5X38.3/29	105.0	150.0	

## 叉车门架滚轮 (MGxxR6-x) 滚子类

Forklift Mast Roller

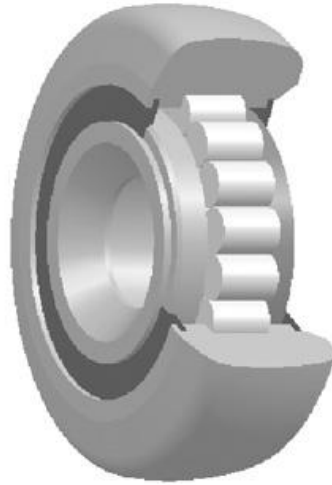
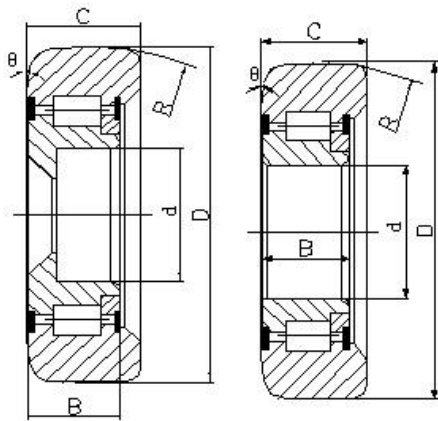


轴承型号	尺寸(mm)	额定载荷(KN)		参照型号
	d*D*C/B	Cr	Cor	
MG28R6-1M1	28*77.2*27/22.5	54.97	62.89	
MG33R6-1M1	33*75.2*24/20.5	44.6	56.3	
MG33R6-2M1	33*75.6*24*20.5	44.6	56.3	
MG33R6-3M1	33*75.9*24/20.5	44.6	56.3	
MG35R6-3	35*78*20/20.5	47.75	74.96	
MG35R6-4M1	35*88.5*32/32	100.0	135.0	
MG35R6-5M1	35*88.5*35/36	100.0	135.0	
MG35R6-6M1	35*78*23/24	58.0	98.5	
MG36R6-1	36*90.4*29/23.5	75.94	93.67	
MG40R6-1	40*90.5*29/29	65.32	84.02	
MG40R6-2M1	40*78*24/24	70.0	80.0	

MG40R6-3M1	40*79.7*31/31	90.9	141.0	
MG45R6-1M1	45*105.4*34/33.5	95.64	115.3	
MG45R6-2M1	45*115.5*34/33.5	95.64	115.3	
MG45R6-3M1	45*115.9*34/33.5	95.64	115.3	
MG45R6-4T	45*89.55*30/28.6	71.0	128.0	
MG45R6-6M1	45*105.8*34/33.5	95.64	115.3	
MG45R6-7M1	45*106.1*34/33.5	95.64	115.3	
MG45R6-8M1	45*89*30/28.5	71.0	128.0	
MG45R6-9	45*106.3*34/33.9	119.5	166.2	
MG45R6-10M1	45*105.2*34/29	95.64	115.3	
MG45R6-11M1	45*106.5*34/29	95.64	115.3	
MG45R6-12	45*127*31.75/29	89.98	77.82	
MG45R6-13M1	45*106.1*34/28.5	95.64	115.3	
MG50R6-1T	50*123*34/29	94.81	113.34	CG92310T

## 叉车门架滚轮 (MGxxR7-x) 滚子类

Forklift Mast Roller



轴承型号	尺寸(mm)	额定载荷(KN)		参照型号
	d*D*C/B	Cr	Cor	
MG17R7-1M1	17*56*19.6/18	27.8	53.0	
MG25R7-1M1	25*78.2*25/17	45.8	49.0	
MG25R7-2M1	25*78.5*30/25	54.97	62.89	
MG28R7-3M1	28*77.2*25.5/22	47.5	58.2	
MG30R7-1M1	30*75.2*24/20	57.11	67.25	
MG30R7-2M1	30*75.45*24/20	57.11	67.25	
MG30R7-3M1	30*75.95*24/20	57.11	67.25	
MG30R7-9M1	30*75.1*24/20.5	57.11	67.25	
MG30R7-10M1	30*75.6*24*20.5	57.11	67.1	
MG30R7-12M1	30*75*24/19.7	57.11	67.25	
MG30R7-13M1	30*76*24/19.7	57.11	67.25	

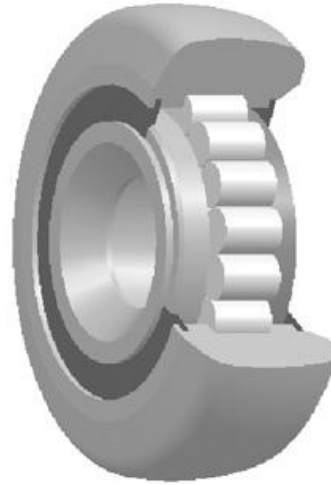
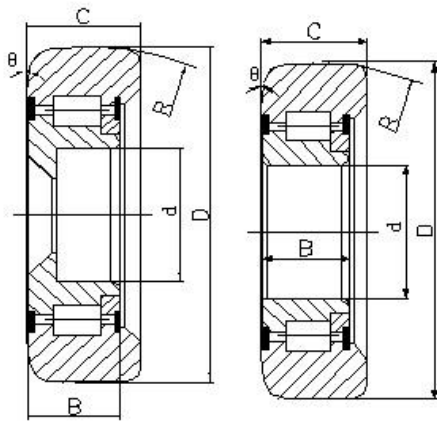
MG30R7-15M1	30*76.20*24/20	57.11	67.25	
MG30R7-16M1	30*78.20*24/24	57.11	67.25	
MG30R7-18M1	30*79*24/24	57.11	67.25	
MG30R7-31	30*75.2*24/20	57.11	67.25	
MG30R7-32	30*75.7*24/20	57.11	67.25	
MG30R7-33	30*76.2*24/20	57.11	67.25	
MG30R7-40	30*75.9*24/23.5	57.11	67.25	
MG30R7-46M1	30*75.2*24/20.75	57.11	67.25	
MG32R7-1M1	32*77.2*25.5/22	44.6	56.3	
MG35R7-2BT	35*78.3*23/21	41.0	64.0	35ZK
MG35R7-3BT	35*77.7*23/21	41.0	64.0	35XK
MG35R7-5T	35*78.8*23/21	41.0	64.0	35ZKL
MG35R7-10T	35*79.3*23/21	41.0	64.0	35ZKL1
MG35R7-11T	35*79.8*23/21	41.0	64.0	35ZKL2
MG36R7-2M1	36*90.2*29/23.5	63.18	79.77	
MG36R7-6M1	36*89.5*29/22	75.68	93.6	
MG36R7-7M1	36*90.5*29/22	75.68	93.6	
MG40R7-1M1	40*89.9*29/28.5	68.9	98.68	

MG40R7-2M1	40*90.2*29/28.5	68.9	98.68	
MG40R7-4M1	40*90.5*29/28.5	68.9	98.68	
MG40R7-9M1	40*89.9*29/28.5	68.9	98.68	
MG40R7-10	40*90.1*29/27	63.18	79.77	
MG40R7-12M1	40*89.9*29/23.8	46.1	79.8	
MG40R7-15M1	40*90.8*29/23.8	46.1	79.8	
MG42R7-3M1	42*105*34/26.2	95.64	115.3	
MG42R7-4M1	42*105.7*34/26.2	95.64	115.3	
MG42R7-7M1	42*105.7*34/28	95.64	115.3	
MG42R7-8M1	42*105.7*34/28	95.64	115.3	
MG42R7-11M1	42*104.7*29/24	92.0	108.0	
MG42R7-12M1	42*105.0*29/24	92.0	108.0	
MG42R7-13M1	42*105.3*29/24	92.0	108.0	
MG42R7-14M1	42*105.6*29/24	92.0	108.0	
MG45R7-1BT	45*89.6*30/28.6	70.0	122.0	45ZKJ
MG45R7-2BT	45*88.8*30/28.6	70.0	122.0	45XK
MG45R7-3BT	45*89.15*30/28.6	70.0	122.0	45ZK
MG45R7-4M1	45*107*26/26	95.64	115.3	

MG50R7-2M1	50*123.4*40/40	137.8	170.0	
MG50R7-4M1	50*124.2*44/30	101.0	135.0	
MG60R7-1	60*107.5*36/37	84.29	141.7	
MG65R7-1M1	65*123*37/34.8	107.0	180.5	
MG65R7-4	65*135.6*42/35	128.94	198.5	
MG65R7-5	65*123*37/38	107.0	180.5	
MG75R7-1M1	75*129.3*34/32	121.66	189.2	
MG75R7-2M1	75*130*34/32	121.66	189.2	
MG75R7-4M1	75*129.3*34/34	146.0	253.0	
MG75R7-5M1	75*130*34/34	146.0	253.0	
MG82R7-1M1	82*149*42*42.7	291.0	380.0	

## 叉车门架滚轮 (MGxxR7-x) 滚子类

Forklift Mast Roller



轴承型号	尺寸(mm)	额定载荷(KN)		参照型号
	d*D*C/B	Cr	Cor	
MG17R7-1M1	17*56*19.6/18	27.8	53.0	
MG25R7-1M1	25*78.2*25/17	45.8	49.0	
MG25R7-2M1	25*78.5*30/25	54.97	62.89	
MG28R7-3M1	28*77.2*25.5/22	47.5	58.2	
MG30R7-1M1	30*75.2*24/20	57.11	67.25	
MG30R7-2M1	30*75.45*24/20	57.11	67.25	
MG30R7-3M1	30*75.95*24/20	57.11	67.25	
MG30R7-9M1	30*75.1*24/20.5	57.11	67.25	
MG30R7-10M1	30*75.6*24*20.5	57.11	67.1	
MG30R7-12M1	30*75*24/19.7	57.11	67.25	
MG30R7-13M1	30*76*24/19.7	57.11	67.25	



MG30R7-15M1	30*76.20*24/20	57.11	67.25	
MG30R7-16M1	30*78.20*24/24	57.11	67.25	
MG30R7-18M1	30*79*24/24	57.11	67.25	
MG30R7-31	30*75.2*24/20	57.11	67.25	
MG30R7-32	30*75.7*24/20	57.11	67.25	
MG30R7-33	30*76.2*24/20	57.11	67.25	
MG30R7-40	30*75.9*24/23.5	57.11	67.25	
MG30R7-46M1	30*75.2*24/20.75	57.11	67.25	
MG32R7-1M1	32*77.2*25.5/22	44.6	56.3	
MG35R7-2BT	35*78.3*23/21	41.0	64.0	35ZK
MG35R7-3BT	35*77.7*23/21	41.0	64.0	35XK
MG35R7-5T	35*78.8*23/21	41.0	64.0	35ZKL
MG35R7-10T	35*79.3*23/21	41.0	64.0	35ZKL1
MG35R7-11T	35*79.8*23/21	41.0	64.0	35ZKL2
MG36R7-2M1	36*90.2*29/23.5	63.18	79.77	
MG36R7-6M1	36*89.5*29/22	75.68	93.6	
MG36R7-7M1	36*90.5*29/22	75.68	93.6	
MG40R7-1M1	40*89.9*29/28.5	68.9	98.68	

MG40R7-2M1	40*90.2*29/28.5	68.9	98.68	
MG40R7-4M1	40*90.5*29/28.5	68.9	98.68	
MG40R7-9M1	40*89.9*29/28.5	68.9	98.68	
MG40R7-10	40*90.1*29/27	63.18	79.77	
MG40R7-12M1	40*89.9*29/23.8	46.1	79.8	
MG40R7-15M1	40*90.8*29/23.8	46.1	79.8	
MG42R7-3M1	42*105*34/26.2	95.64	115.3	
MG42R7-4M1	42*105.7*34/26.2	95.64	115.3	
MG42R7-7M1	42*105.7*34/28	95.64	115.3	
MG42R7-8M1	42*105.7*34/28	95.64	115.3	
MG42R7-11M1	42*104.7*29/24	92.0	108.0	
MG42R7-12M1	42*105.0*29/24	92.0	108.0	
MG42R7-13M1	42*105.3*29/24	92.0	108.0	
MG42R7-14M1	42*105.6*29/24	92.0	108.0	
MG45R7-1BT	45*89.6*30/28.6	70.0	122.0	45ZKJ
MG45R7-2BT	45*88.8*30/28.6	70.0	122.0	45XK
MG45R7-3BT	45*89.15*30/28.6	70.0	122.0	45ZK
MG45R7-4M1	45*107*26/26	95.64	115.3	

MG50R7-2M1	50*123.4*40/40	137.8	170.0	
MG50R7-4M1	50*124.2*44/30	101.0	135.0	
MG60R7-1	60*107.5*36/37	84.29	141.7	
MG65R7-1M1	65*123*37/34.8	107.0	180.5	
MG65R7-4	65*135.6*42/35	128.94	198.5	
MG65R7-5	65*123*37/38	107.0	180.5	
MG75R7-1M1	75*129.3*34/32	121.66	189.2	
MG75R7-2M1	75*130*34/32	121.66	189.2	
MG75R7-4M1	75*129.3*34/34	146.0	253.0	
MG75R7-5M1	75*130*34/34	146.0	253.0	
MG82R7-1M1	82*149*42*42.7	291.0	380.0	