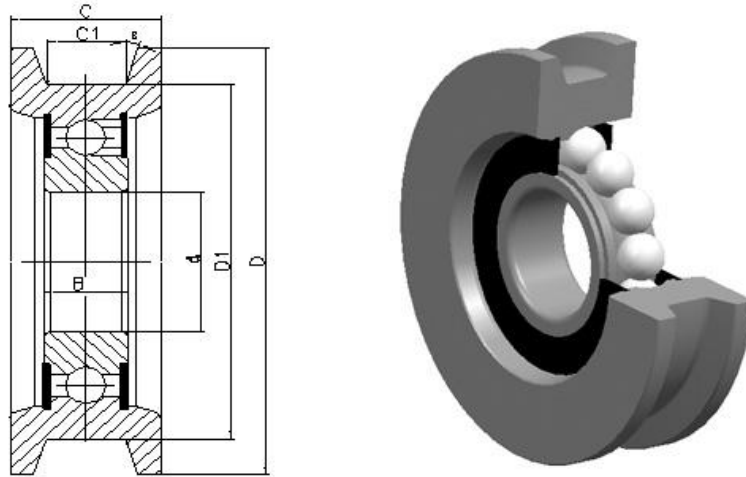


# 叉车门架链轮 (CGxxC1-x) 单列满球

Forklift Chain Pulley



轴承型号	尺寸(mm)	额定载荷(KN)	
	d*D/D1*C/C1*B	Cr	Cor
W408825	40*100/88*35/25*25	40.75	33.0
W408830	40*100/88*40/30*25	40.75	33.0
W408820	40*100/88*35/20*25	40.75	33.0
W5010431	50*124/104*43/31*30	50.0	46.0